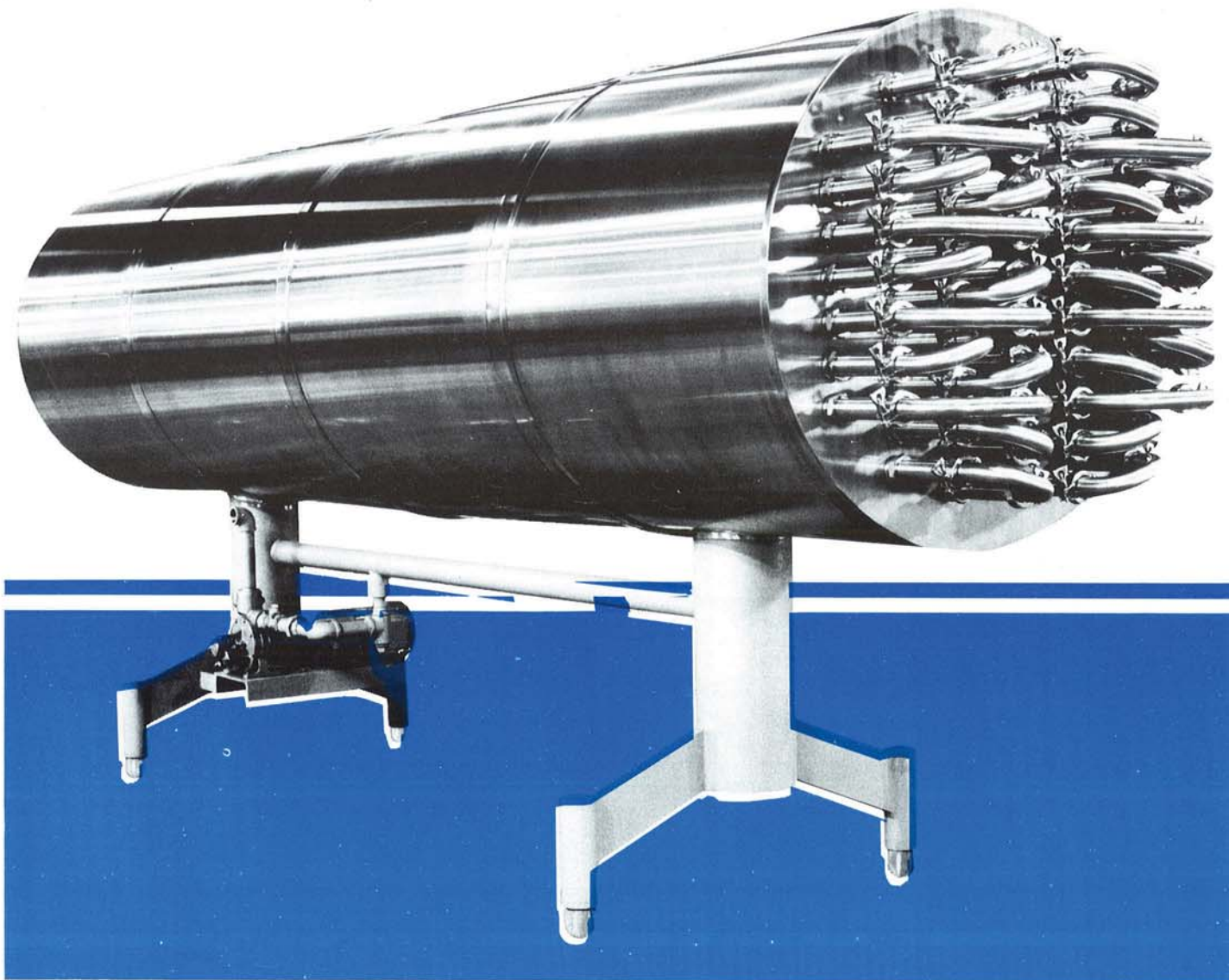




# STE-VAC HEATER

THE ECONOMICAL, NO BURN-ON FLAVOR SAVER



**Chester - Jensen Co., Inc.**

P.O. Box 908  
Chester, PA 19016  
610-876-6276  
Fax: 610-876-0485

# CJ'S "DRY/COLD, NO BURN-ON" OPERATION ANY PUMPABLE PRODUCT AND

The improved STE-VAC Heater offers the same basic efficiency, economy and rugged construction pioneered and developed by Chester-Jensen over 25 years ago.

The improvement is in the product flow returns. They're designed to meet today's requirements for higher pressures due to increased velocity and/or viscosity.

CJ's improved line of STE-VAC Heaters now offers a wider range of capacities (10 to 280 gpm) and heating surfaces (55 to 330 sq. ft.) along with ample tube spacing for *Chester-Jensen's famous "dry/cold tube, no burn-on" operation.*

Fully CIP, the product returns are 180° tube bends with heavy duty tri-clamp unions designed to provide high product pressure capability and ready access for inspection of all product surfaces. Straight tubes are assured by individual head packing glands.

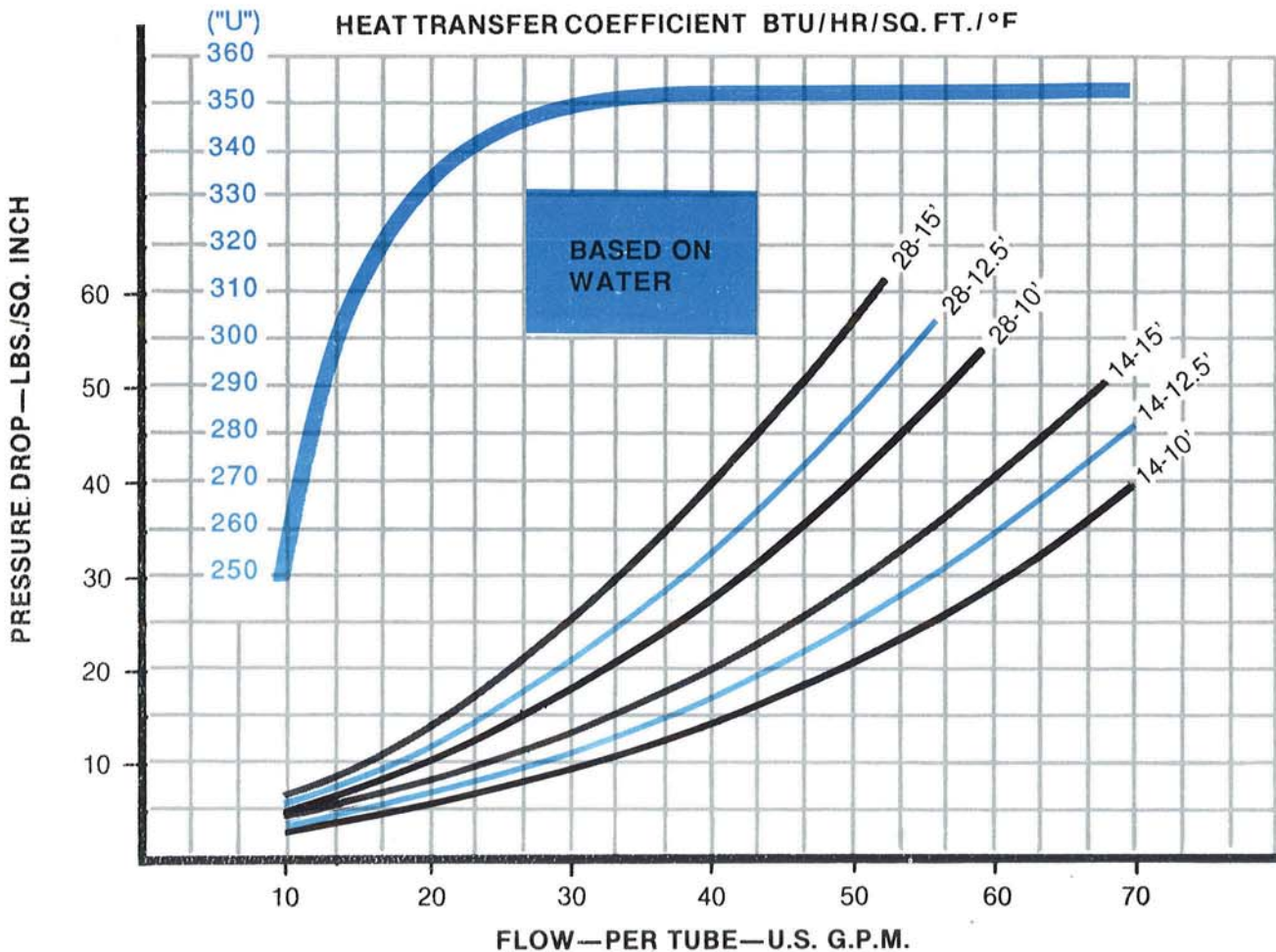
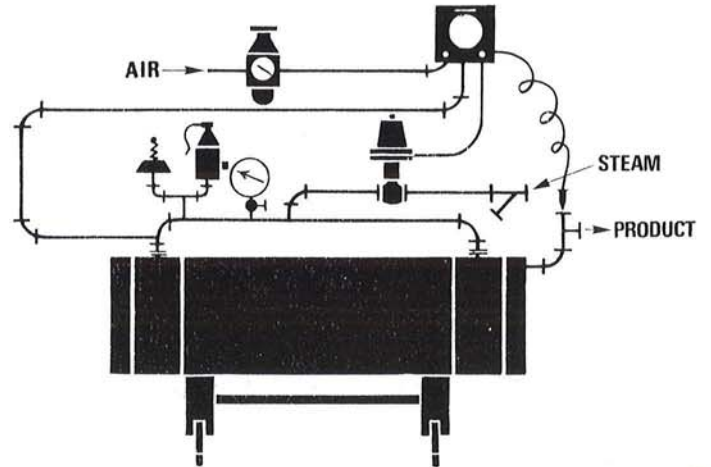
## OPERATION

Standard heaters are supplied with a turbine-type vacuum pump for removal of condensate and non-condensable gases. Steam is admitted through two

special distributor inlets. Control is direct with a sanitary bulb for insertion in the product discharge.

## AIR OPERATED CONTROLS

Recommended for all applications, these controls include a Fulscope recording temperature and pressure controller with companion air-operated steam valve, accessories and steam inlet as shown.



# MAKES THE **STE-VAC** HEATER IDEAL FOR A WIDE RANGE OF VISCOSITIES

SPECIFICATIONS

## STANDARD HEATER

TUBES—1½" OD. 304 S.S. polished  
 RETURNS—180° tube bends with tri-clamp unions-  
 heavy duty clamps  
 DRUM—¼" boiler plate—welded  
 LEGS—all welded and ground steel, primed and painted.  
 HEADS—7/8" solid stainless steel, polished.  
 INSULATION—1" fibre glass  
 JACKET—16 Ga., 304 S.S., polished  
 BALL FEET—4, stainless, adjustable  
 CONDENSATE PUMP—14A, 1HP  
 INLET AND OUTLET—tri-clamp

## CONTROLS—air operated, including:

Taylor 122 RU 268-SIS-92 instrument, 200—VA 1223-  
 steam valve, air set No. 1004 FA 0111, steam strain-  
 er, gage, pressure relief (15 psig), and vacuum relief.  
 Includes—steam inlet piping as shown.

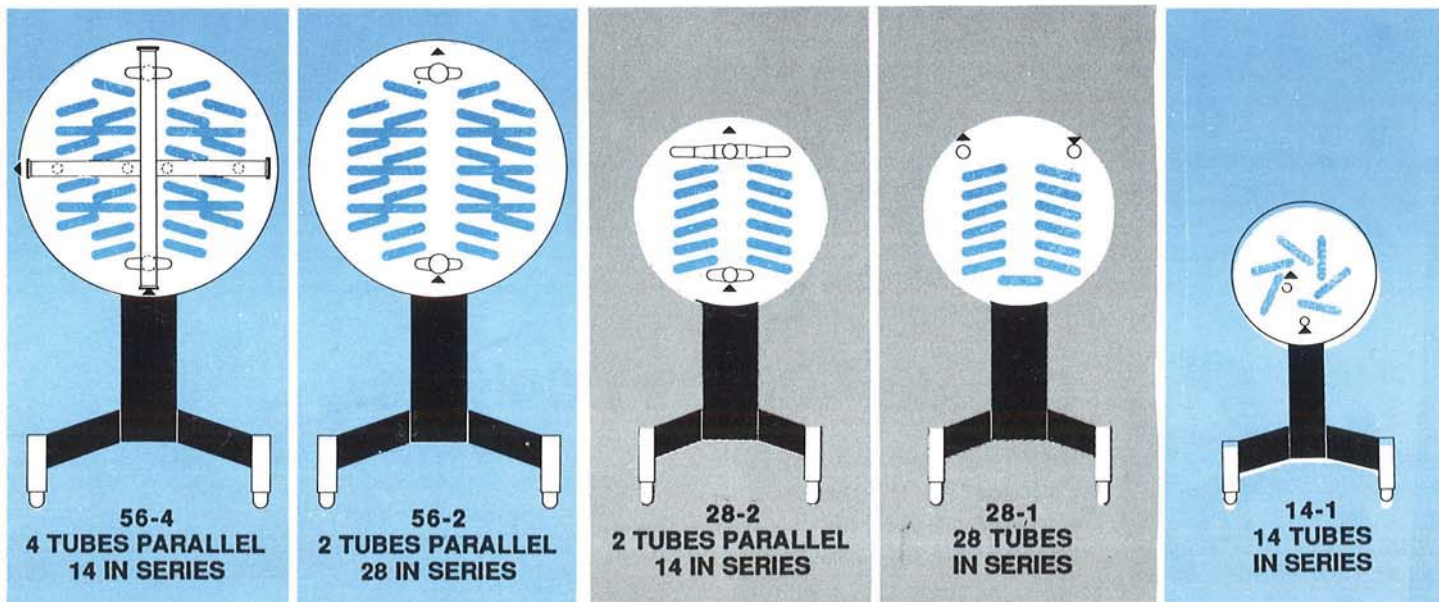
## OPTIONS

Painted steel heads and drum –  
 Type 316 S.S. tubes and returns +  
 ASME certification (Limited) +  
 Steam trap—in lieu of cond. pump –

MODEL*	TOTAL NO. OF TUBES	TUBES IN PARALLEL	HEATING LENGTH—FT.	SURFACE SQ. FT.	HEAD DIA. INCHES	LENGTH O.A. FT.—IN.	HEIGHT** INCHES	PRODUCT CONNECTION SIZE	STEAM CONNECTION NO.—SIZE	SHIPPING WEIGHT LBS.
SV-1½	14	1	10	55	21	12'-3"	52	1½	2-2"	1600
SV-1½	14	1	12.5	68.7	21	14'-9"	52	1½	2-2"	1850
SV-1½	14	1	15	82.5	21	17'-3"	52	1½	2-2"	2100
SV-1½	28	1	10	110	30	12'-3"	62	1½	2-3"	3100
SV-1½	28	1	12.5	137.5	30	14'-9"	62	1½	2-3"	3500
SV-1½	28	1	15	165	30	17'-3"	62	1½	2-3"	3900
SV-1½	28	2	10	110	30	13'-0"	62	2½	2-3"	3100
SV-1½	28	2	12.5	137.5	30	15'-6"	62	2½	2-3"	3500
SV-1½	28	2	15	165	30	18'-0"	62	2½	2-3"	3900
SV-1½	56	2	10	220	40	13'-0"	73	2½	2-4"	4625
SV-1½	56	2	12.5	275	40	15'-6"	73	2½	2-4"	5150
SV-1½	56	2	15	330	40	18'-0"	73	2½	2-4"	5675
SV-1½	56	4	10	220	40	13'-8"	73	3	2-4"	4625
SV-1½	56	4	12.5	275	40	16'-2"	73	3	2-4"	5150
SV-1½	56	4	15	330	40	18'-8"	73	3	2-4"	5625

\*Complete model designation  
 example: SV-1½-14-1-10

\*\*Steam Piping Not Included

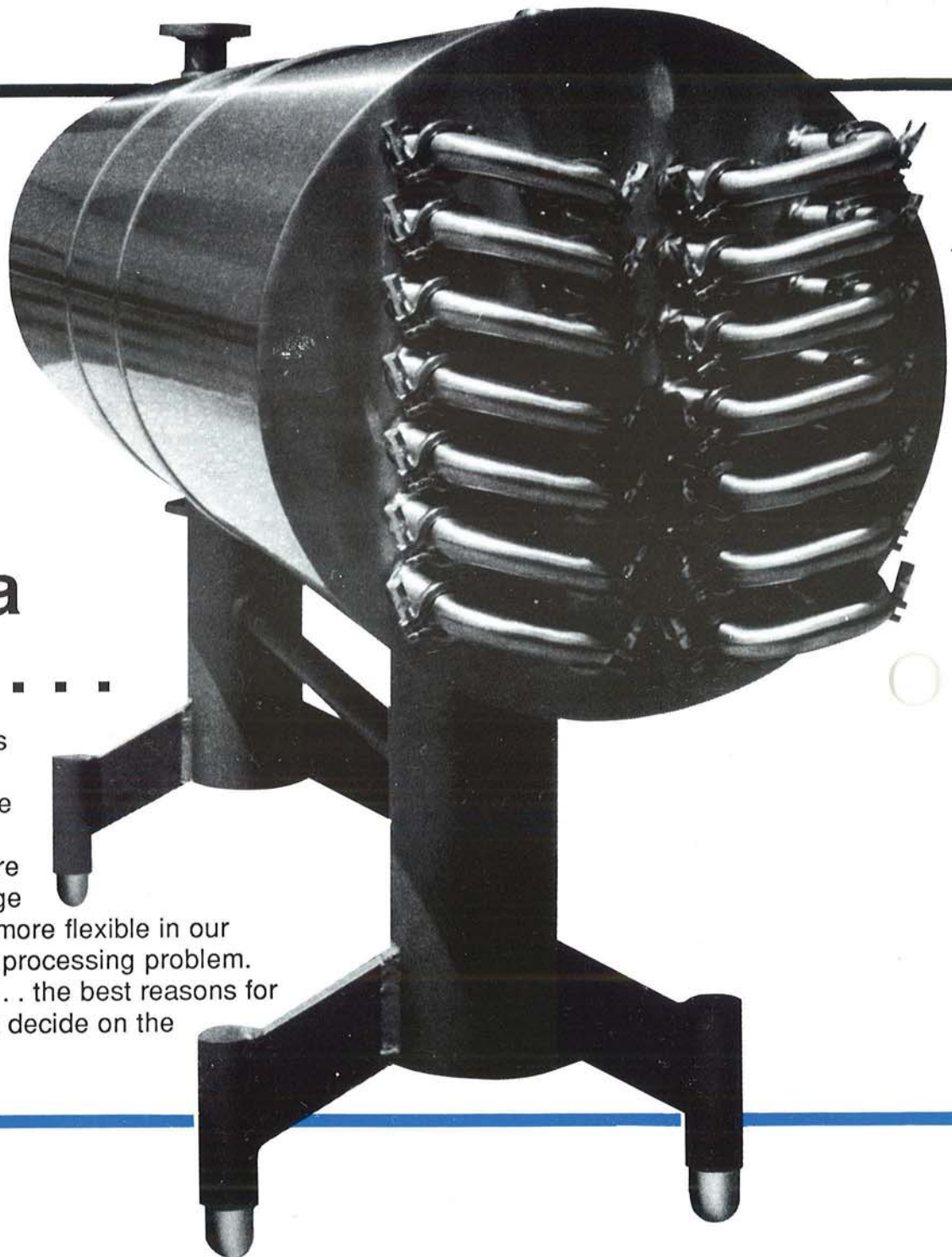




# STE-VAC HEATER

**There's a  
lot more . . .**

we can tell you about this economical, efficient method to heat pumpable high or low viscosity products. We manufacture a variety of heat exchange equipment, so we're far more flexible in our approach to solving any processing problem. Flexibility and reliability . . . the best reasons for contacting us before you decide on the exact unit selection.



**Chester - Jensen Co., Inc.**

P.O. Box 908  
Chester, PA 19016  
610-876-6276  
Fax: 610-876-0485

PRINTED IN U.S.A.